

4

3

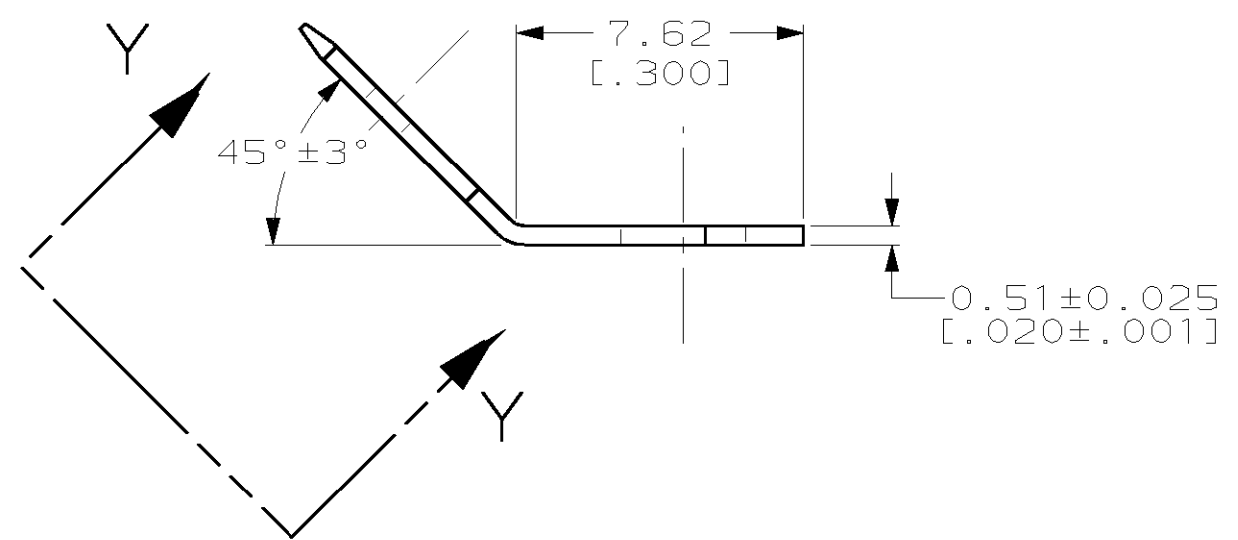
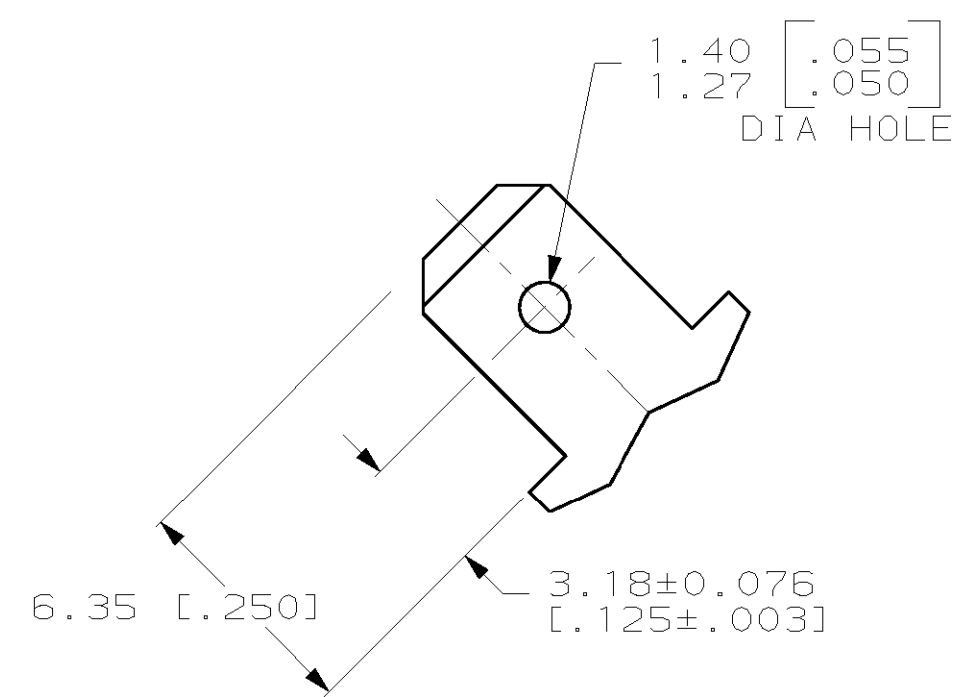
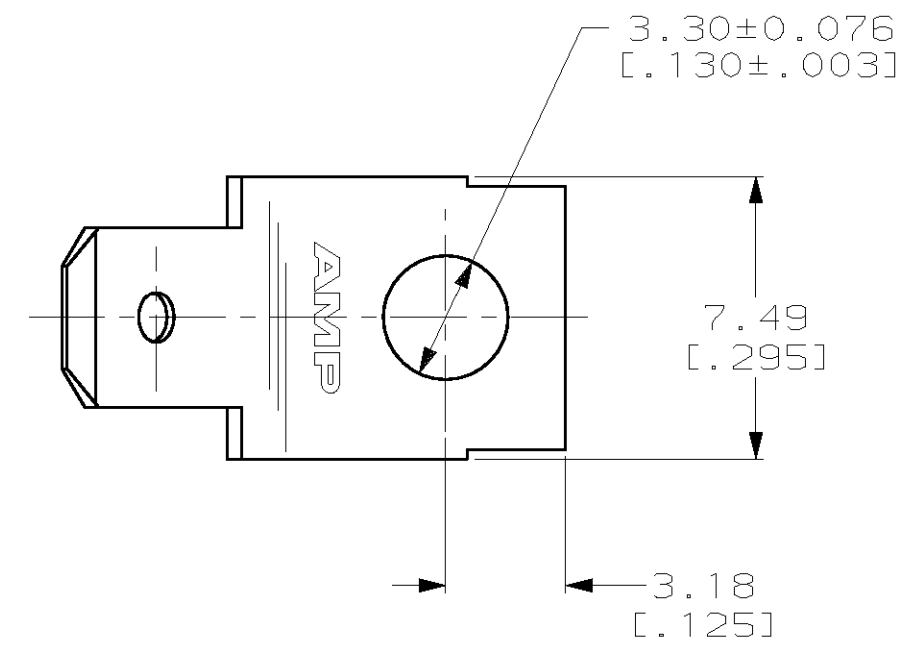
2

1

THIS DRAWING IS UNPUBLISHED. RELEASED FOR PUBLICATION, 19 .
 © COPYRIGHT 19 BY AMP INCORPORATED. ALL RIGHTS RESERVED.

| LOC | DIST | REVISIONS | | | |
|-----|------|-------------|---------------------------|---------|----------|
| P | LTR | DESCRIPTION | DATE | DWN | APVD |
| AF | 50 | F | ADDED -3 PER OG3A-0348-00 | 18MAY00 | JR GP |

- 1 SUPPLIED IN LOOSE PIECE.
- △2 0.002032 [.000080] MIN TIN PLATE
- △3 PRELIMINARY - NOT FOR PRODUCTION



| | |
|--------|------------|
| - | △3 61761-3 |
| △2 | 61761-2 |
| FINISH | PART NO. |

| | | | | | |
|--|--|------------------|----------|---------------------------------|--|
| THIS DRAWING IS A CONTROLLED DOCUMENT. | | DWN | JR RUTH | 1/24/97 | AMP AMP Incorporated Harrisburg, PA 17105-3608 |
| DIMENSIONS: MM [INCHES] | | CHK | MS FEHER | 1/24/97 | |
| TOLERANCES UNLESS OTHERWISE SPECIFIED: | | APVD | J HUZVAR | 1/24/97 | NAME |
| 0 PLC ±- | | PRODUCT SPEC | | TAB, FASTON, 4.75 [.187] SERIES | |
| 1 PLC ±- | | APPLICATION SPEC | | SIZE | |
| 2 PLC ±0.38 [.015] | | WEIGHT | | A3 00779 | |
| 3 PLC ±- | | CUSTOMER DRAWING | | CAGE CODE | |
| 4 PLC ±- | | SCALE | | 5:1 | |
| ANGLES ±- | | SHEET | | 1 OF 1 | |
| FINISH SEE TABLE | | DRAWING NO | | C-61761 | |
| MATERIAL 082 BRASS | | REV | | F | |